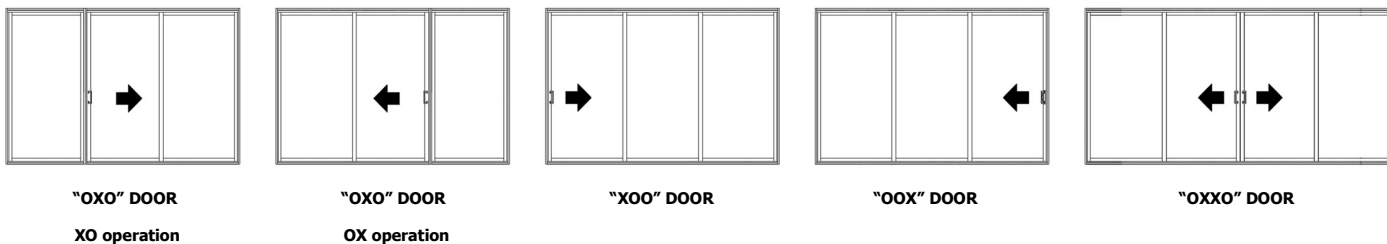


# 3 & 4 PANEL DOOR – INSTALLATION INSTRUCTIONS

**GENERAL:** Door elevations shown in these instructions are as viewed from the outside.



Refer to the 2-panel door instructions and use the following pages as supplement when installing 3 and 4 panel doors.

In addition to the perimeter framing members, OXO 3-panel "XO operation" or "OX operation" doors include an additional mullion member.

## 1.0 INSTALLING THE FIXED PANEL – 4 PANEL DOORS

**1.1** Follow the 2-panel door instructions and repeat the procedure at both ends.

## 2.0 INSTALLING THE FIXED PANEL – 3 PANEL DOORS

**2.1** Lift the fixed panel into the center track of the frame header and carefully lower onto the sill as shown.

**2.2** You may need to use silicone spray along the sill and up the jamb to fully engage the panel. The meeting rail with the wool pile weather stripping should now be in the middle of the door facing inside.

### 2.3 "OXO" Door

**2.3a** Install the recessed bumper using the #8 x 3/4" self tapping screws into the centre of the jambs, behind the fixed panel. (Note: this recessed bumper is installed where the fixed panel meets the jamb. They are used to provide the proper spacing for the panel clip to hold securely).

**2.3b** Install the fixed panel security clip. Make sure that the security clip is tight against the glass before starting the #8 x 3/4" self tapping screws.

### 2.4 "XOO" and "OOX" Door

**2.4a** Install the recessed bumper using the #8 x 3/4" self tapping screws into the centre of the jambs, behind the fixed panel.

**2.4b** Fasten the fixed panel at the top and bottom with #8x3/4" screws (as shown #3) as indicated by the label on the fixed pull rail.

**2.4c** Now place screw covers aver the fixed panel screws.

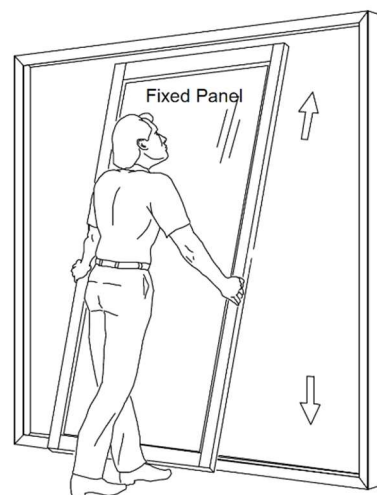


Figure 1

Follow the 2-panel door instructions for applying silicone to the fixed panel.

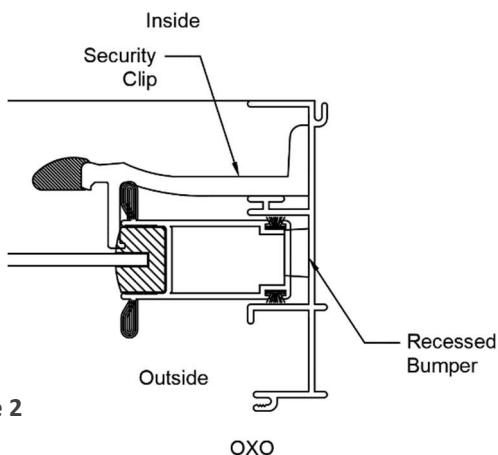


Figure 2

OXO

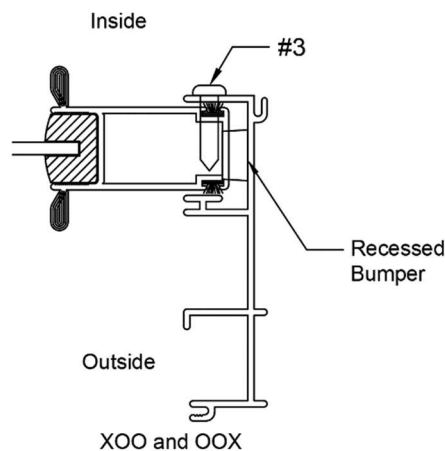


Figure 3

XOO and OOX

**3.0 INSTALLING ADDITIONAL MULLION MEMBER FOR OXO & OXXO DOOR**

**3.1** Attach panels inside mullion and use the #8x 3/4" pan head screws provided. For configuration OXXO attach the screen inside mullion and use the #8x1 1/2" screws provided.

**NOTE: Mullion is fabricated to be applied in only one way.**

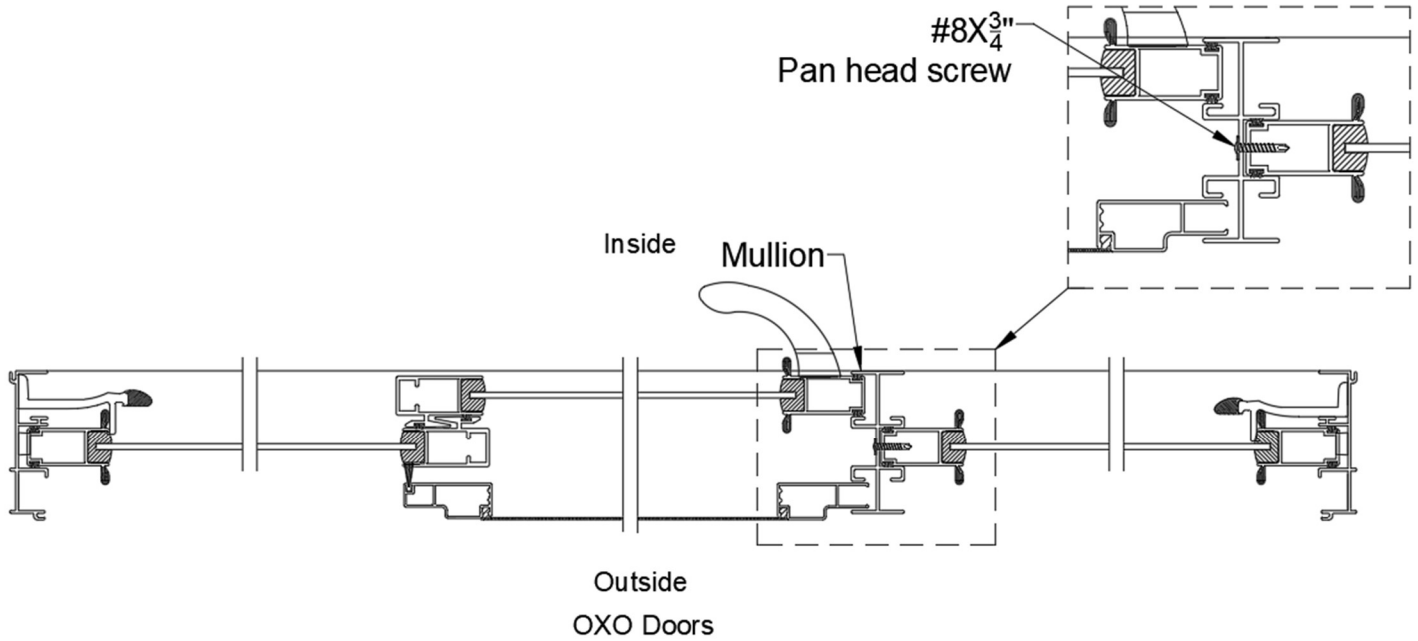


Figure 4

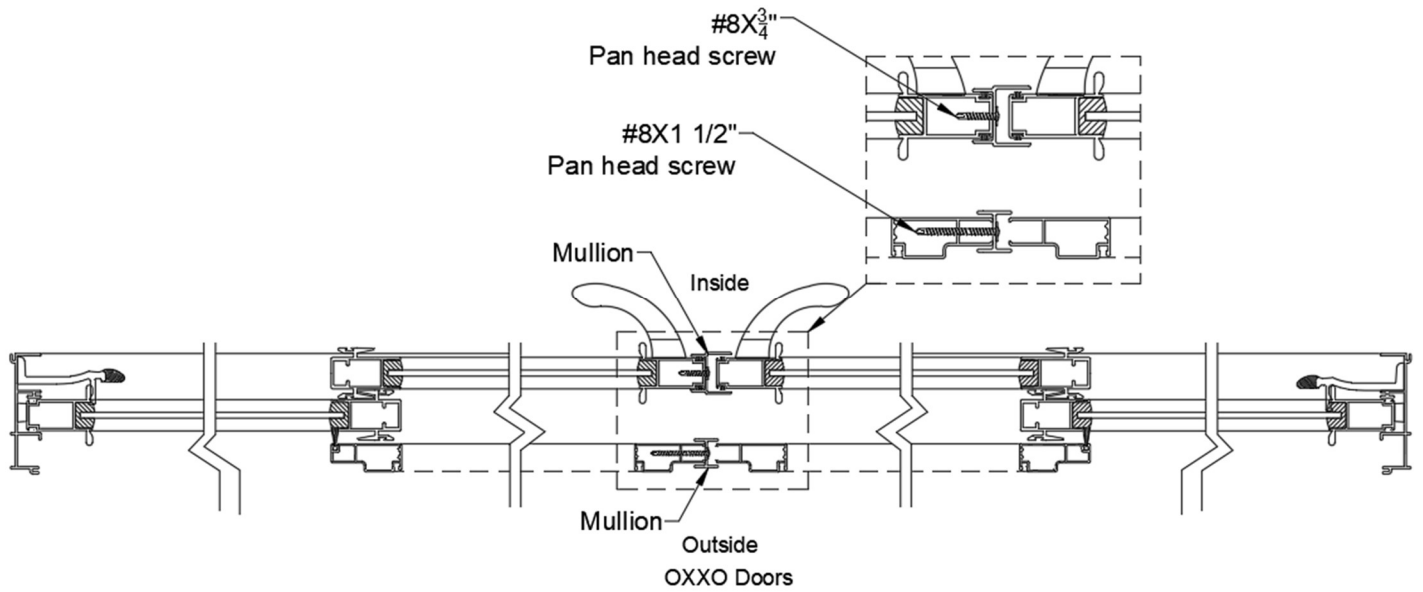


Figure 5

**4.0 INSTALLING THE OPERATING PANEL – 3-PANEL AND 4-PANEL DOORS**

**4.1** For 3-panel "OXO", "XOO", "XOO and 4-panel "OXXO" doors, adjust operating panels and wheels in similar manner as 2-panel doors aligning the operating panel to the mullion.

**5.0 INSTALLING THE SCREEN PANEL -3-PANEL AND 4-PANEL DOORS**

**5.1** Before installing the screen, back-off all four wheels by turning the adjustment screws counter-clockwise as shown.

**5.2** Insert the screen in the outside track of the frame header, swing the bottom of the screen towards the sill and snap the rollers over the sill screen track as shown.

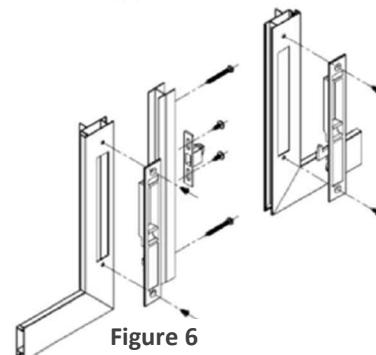
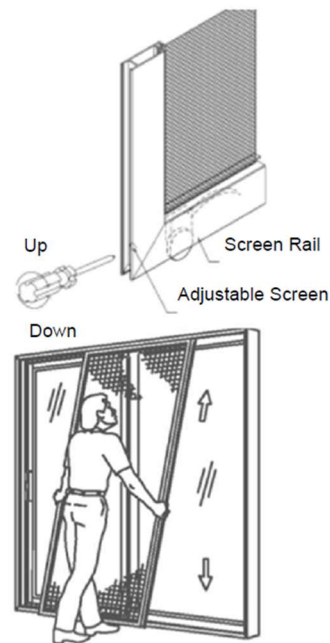
**5.3** Slide the screen in the closing direction to within ¼" of the jamb. Visually, the joint between the screen and the jambs should be uniform from top to bottom.

**5.4** Using a screwdriver adjust the rollers on the bottom of the screen up (clockwise) or down (counterclockwise) to align the screen as shown above. Adjust the top rollers just enough to snug the screen in the top track and allow easy rolling.

**5.5** There are 2-mortise screen locks supplied with 4-panel "OXXO" doors/ Using a screwdriver, remove the striker from one of them to create a dummy lock and install this lock to one of the screens as shown.

**5.6** On this screen, attach the screen "H" bar using 4-self drilling screws.

**5.7** On the other screen, install the mortise screen lock using the factory machined holes provided. With the striker latch in the open position, slide the screens close to each other; mark the location of the top of the striker in the screen "H"-bar, and position the keeper within the "H"-bar so that the striker will cleanly engage the keeper. Attach the keeper to the "H"-bar using the self-drilling screws provided. Ensure the latch securely holds the screens locked and adjust the keeper up or down as necessary.



Visit Our Web Site @ [www.clearview.on.ca](http://www.clearview.on.ca)

45 Fenmar Drive  
 Toronto, Ontario Canada M9L1M1  
 Toll: 1-888-253-2739  
 Tel: 416-745-6666  
 Fax: 416-745-3711  
 E: [sales@clearview.on.ca](mailto:sales@clearview.on.ca)