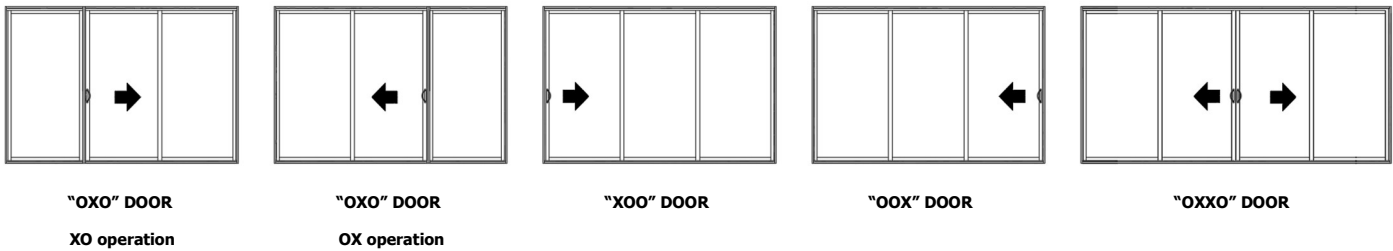


S3 & 4 PANEL DOOR – INSTALLATION INSTRUCTIONS

GENERAL: Door elevations shown in these instructions are as viewed from the outside.



Refer to the 2-panel door instructions and use the following pages as supplement when installing 3 and 4 panel doors.

In addition to the perimeter framing members, OXO 3-panel "XO operation" or "OX operation" doors include an additional mullion member.

1.0 INSTALLING THE FIXED PANEL – 4 PANEL DOORS

1.1 Follow the 2-panel door instructions and repeat the procedure at both ends.

2.0 INSTALLING THE FIXED PANEL – 3 PANEL DOORS

2.1 Lift the fixed panel into the center track of the frame header and carefully lower onto the sill as shown.

2.2 You may need to use silicone spray along the sill and up the jamb to fully engage the panel. The meeting rail with the wool pile weather stripping should now be in the middle of the door facing inside.

2.3 "OXO" Door

2.3a First fasten the fixed panel clip to the top and bottom of the fixed panel with #8x3/4" screws (as shown #1) as indicated by the label on the fixed pull rail.

2.3b Now fasten the fixed panel clip to the top and bottom of the jamb with #8x3/4" screws (as shown #2) as indicated by the label on the jamb.

2.3c Now place fixed panel clip covers over the fixed panel clip.

2.4 "XOO" and "OOX" Door

2.4a Fasten the fixed panel at the top and bottom with #8x3/4" screws (as shown #3) as indicated by the label on the fixed pull rail.

2.4b Now place screw covers over the fixed panel screws.

2.5 Follow the 2-panel door instructions for applying silicone to the fixed panel.

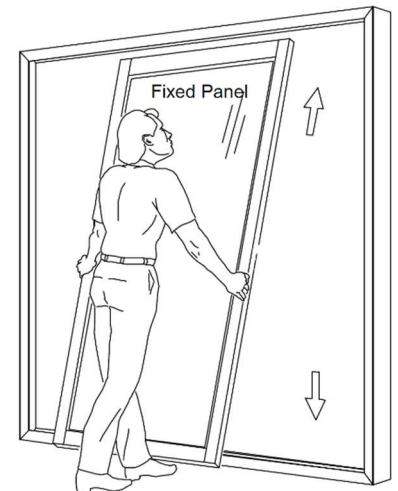


Figure 1

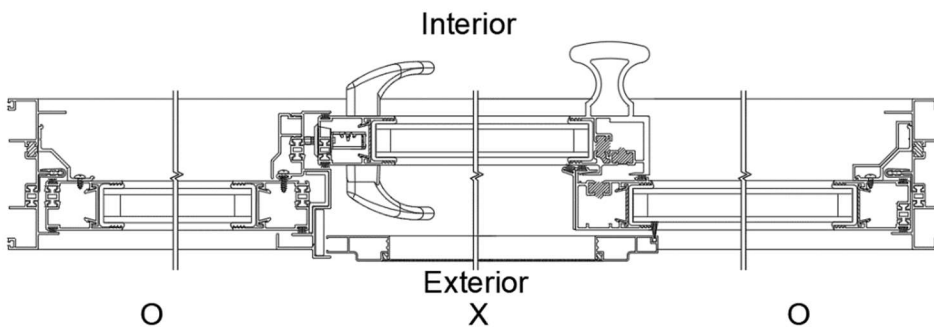


Figure 2

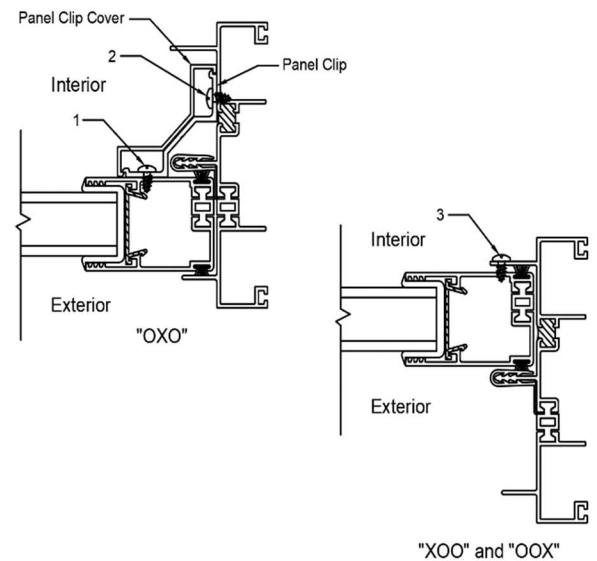


Figure 3

3.0 INSTALLING ADDITIONAL MULLION MEMBER FOR OXO DOOR

3.1 Apply a continuous bed of silicone along the leading edge of the fixed panel then attach the OXO-3 panels "XO operation" or "OX operation" mullion to the wide rail of the panel using the #8 x1/2" self-drilling screws provided.

NOTE: Mullion is fabricated to be applied in only one way.

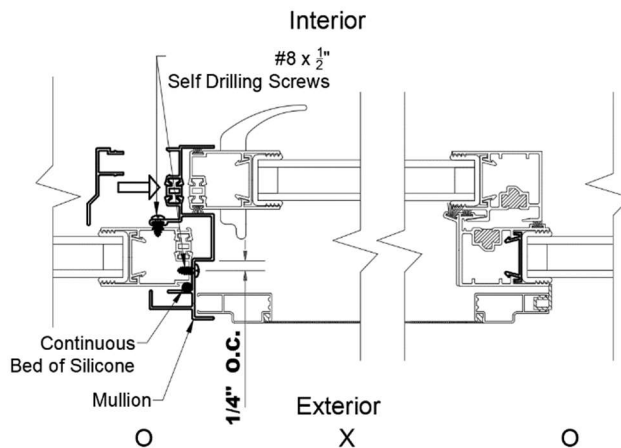


Figure 4

4.0 DUST PAD ADJUSTMENT

4.1 Follow the 2-panel door instructions and repeat the procedure at both ends.

5.0 INSTALLING THE OPERATING PANEL – 3-PANEL AND 4-PANEL DOORS

5.1 For 3-panel "OXO", "XOO", "XOO and 4-panel "OXXO" doors, adjust operating panels and wheels in similar manner as 2-panel doors aligning the operating panel to the mullion.

6.0 INSTALLING FILLER BLOCK – 4 PANEL DOOR (FULLY ADJUSTED)

6.1 For 4-panel "OXXO" doors, measure the gap between the header channel to the top edge of the panel mullion notch (should be between 1/2" – 7/8"). If the space measured is greater than 7/8", check installation again.

6.2 Using a screwdriver (#2-Robertson or #2-Phillips), lower the panel 1/8", turning the roller adjustment screw counterclockwise.

6.3 With gap measured determine the stack combination of filler blocks to close the gap between header channel and panel mullion (see image and table below). Insert filler block assembly at top of panel mullion cavity (a bead of silicone is recommended) and lower into position. The seal should be facing the header channel.

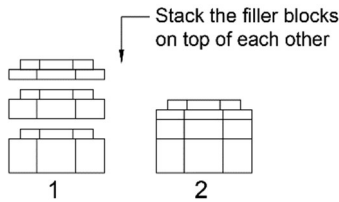


Figure 6

Gap (In)	7/16" Block	1/8" Block	1/4" Block
1/2	✓	X	X
5/8	✓	✓	X
3/4	✓	✓	✓

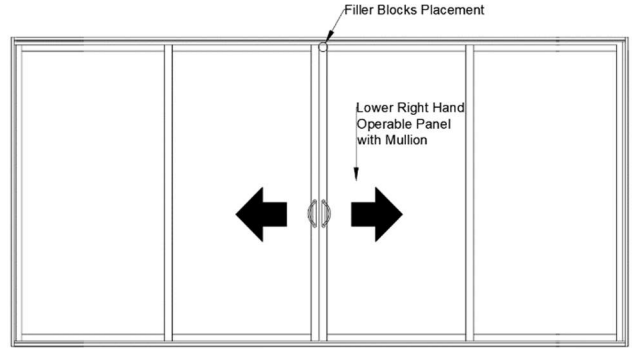


Figure 5

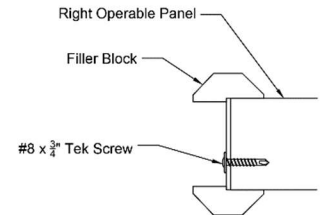
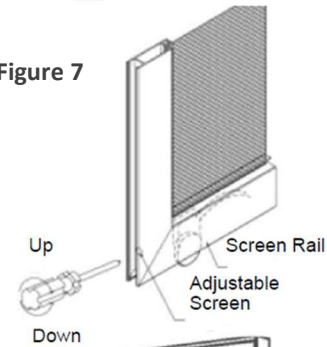


Figure 7

6.4 Use a #8 x 3/4" Tek screw to secure the filler block to the panel mullion. Relocate the panel to its original height (1/8" recommended) by adjusting the roller adjustment turning it clockwise.



7.0 INSTALLING THE SCREEN PANEL - 3-PANEL AND 4-PANEL DOORS

7.1 Before installing the screen, back-off all four wheels by turning the adjustment screws counter-clockwise as shown.

7.2 Insert the screen in the outside track of the frame header, swing the bottom of the screen towards the sill and snap the rollers over the sill screen track as shown.

7.3 Slide the screen in the closing direction to within 1/4" of the jamb. Visually, the joint between the screen and the jambs should be uniform from top to bottom.

7.4 Using a screwdriver adjust the rollers on the bottom of the screen up (clockwise) or down (counterclockwise) to align the screen as shown above. Adjust the top rollers just enough to snug the screen in the top track and allow easy rolling.

7.5 There are 2-mortise screen locks supplied with 4-panel "OXXO" doors/ Using a screwdriver, remove the striker from one of them to create a dummy lock and install this lock to one of the screens as shown.

7.6 On this screen, attach the screen "H" bar using 4-self drilling screws.

7.7 On the other screen, install the mortise screen lock using the factory machined holes provided. With the striker latch in the open position, slide the screens close to each other; mark the location of the top of the striker in the screen "H"-bar, and position the keeper within the "H"-bar so that the striker will cleanly engage the keeper. Attach the keeper to the "H"-bar using the self-drilling screws provided. Ensure the latch securely holds the screens locked and adjust the keeper up or down as necessary.

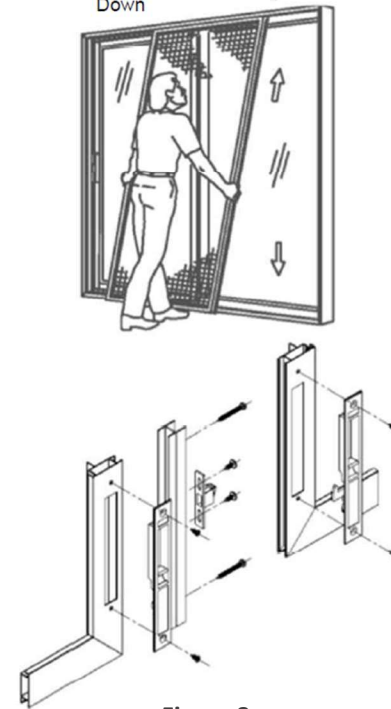


Figure 8

Visit Our Web Site @ www.clearview.on.ca



45 Fenmar Drive
 Toronto, Ontario Canada M9L1M1
 Toll: 1-888-253-2739
 Tel: 416-745-6666
 Fax: 416-745-3711
 E: sales@clearview.on.ca