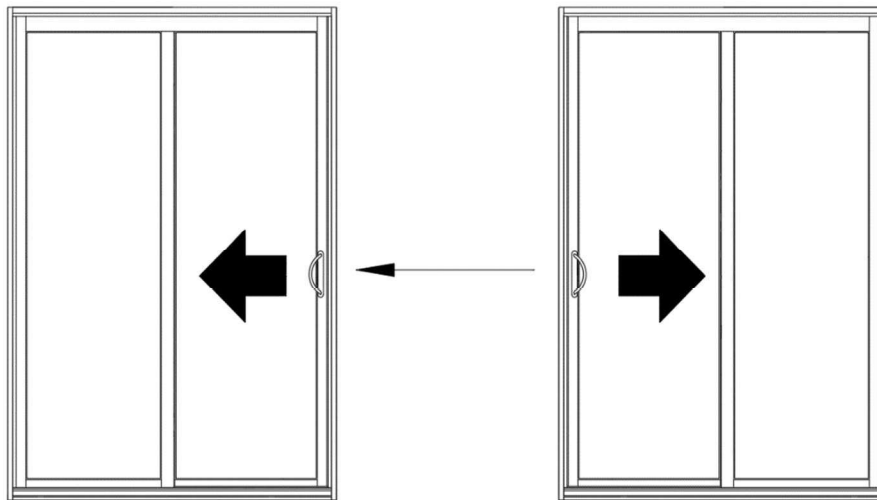


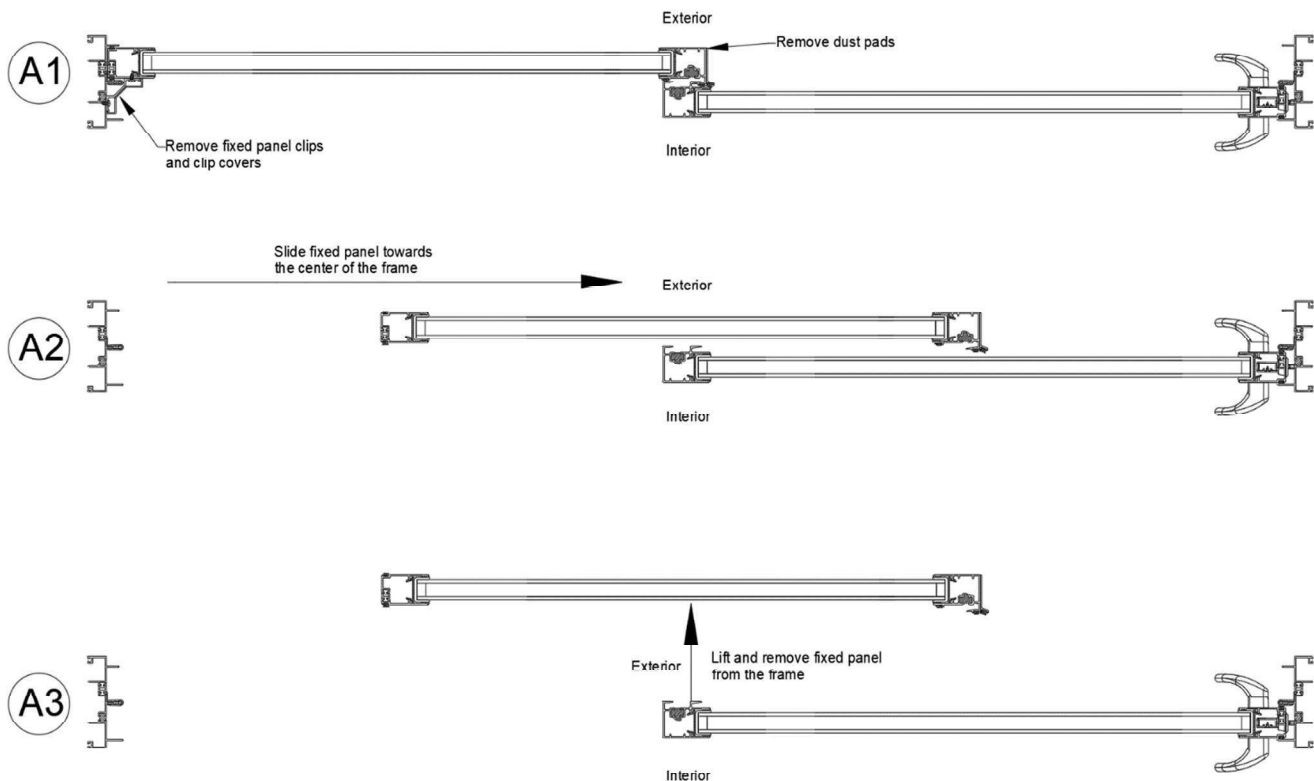
**How to Reverse a Door Guide – Aluminum 2 Panel Sliding Door**



**Interior View Elevation**

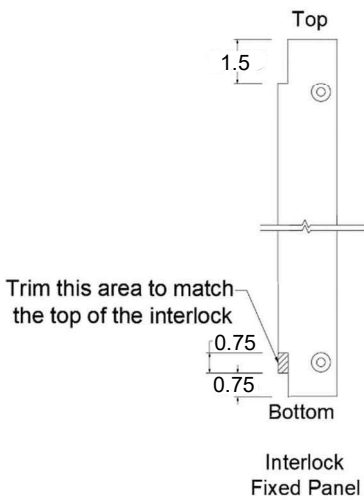
**1.0 Reverse the Fixed Panel**

**1.1** To remove the fixed panel, remove dust pads located at the top and bottom of interlock and clip covers and panel clips located at the top and bottom of the frame and fixed panel. Push the fixed panel securely from the jamb. Lift the panel and pull it out of the frame; the bottom part of the panel should come out first (figure 1).



**Figure 1**

**1.2** Using a saw, trim the bottom part of the interlock to have an indentation of equal size as the one on the top (Figures 2 & 3). Remove the small sill block from the bottom of the interlock and replace it with a bigger sill block required (figure 4). **Note:** Follow the same procedure for the operating panel.



**Figure 2**

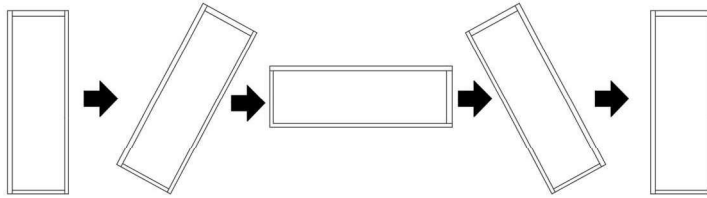


**Figure 3**



**Figure 4**

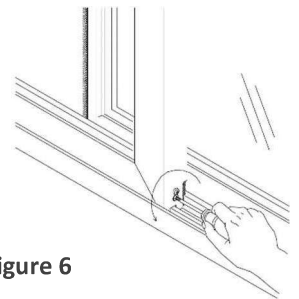
**1.3** Rotate the panel 180°; place the panel in a safe place, before proceeding to work on the operating panel.



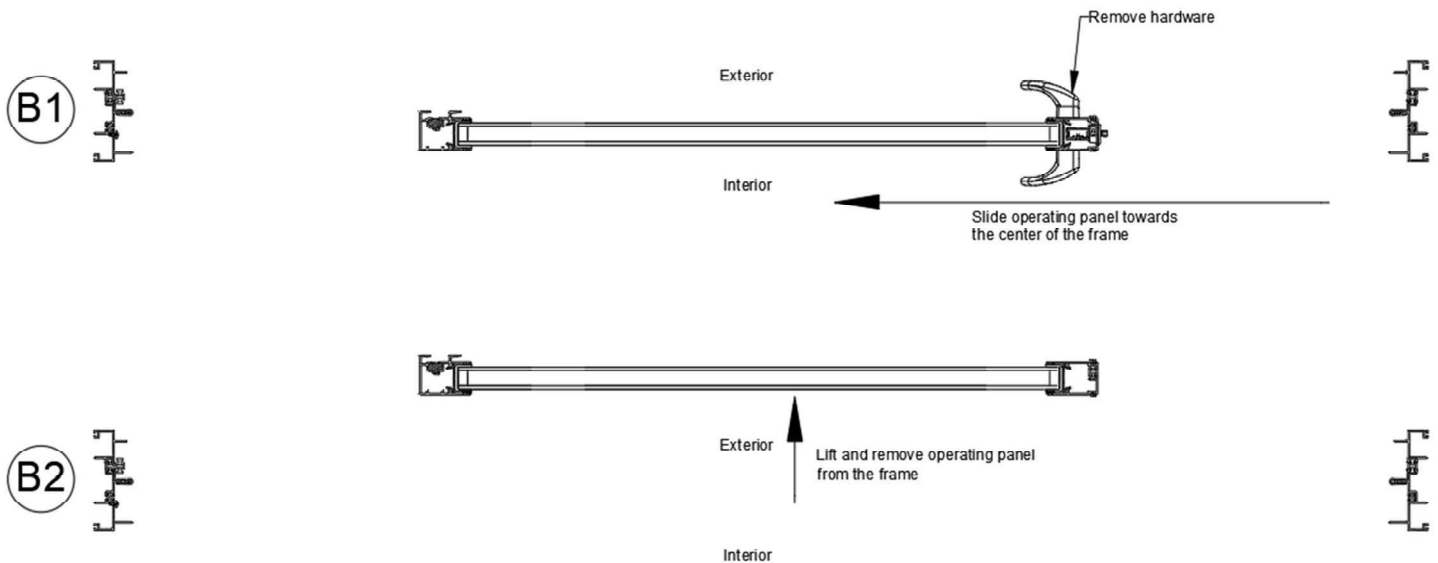
**Figure 5**

**2.0 Reverse the Operable Panel**

**2.1** Using a screwdriver remove the lockset from the panel. Lower the panel slightly by adjusting the wheels for ease of turning (Figure 6). Slide the panel to the center of the frame; lift the panel to pull the bottom part from the sill, and then pull down to release the panel from the frame (Figure 7). **Note:** If door height is greater than 80", a new pull rail may be required due to the lock height position being higher than the nominal 38" of center location.

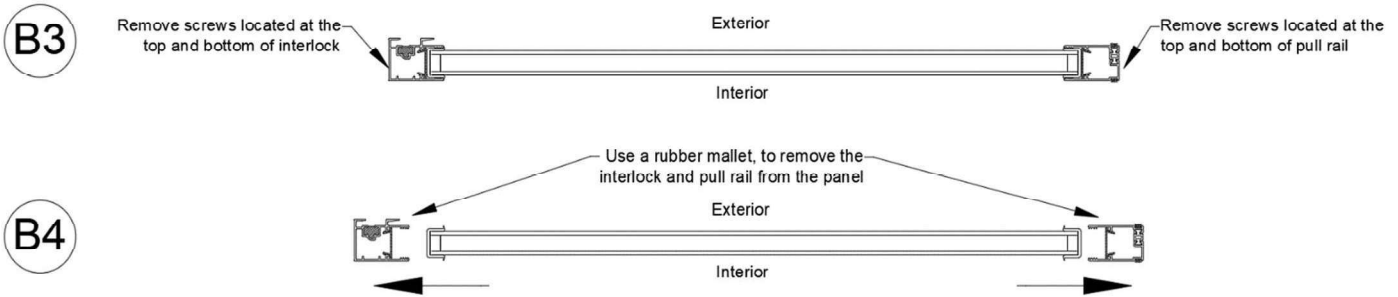


**Figure 6**



**Figure 7**

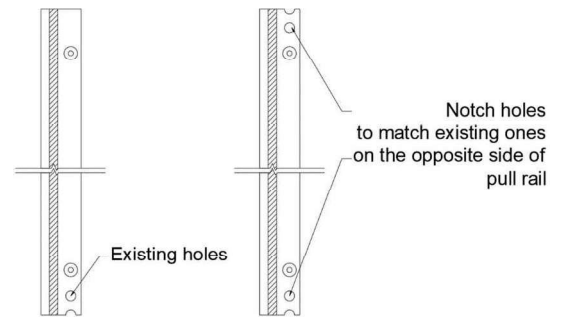
**2.2** With the panel outside of the frame, remove the screws located at the top and bottom of the pull rail and interlock. Use a rubber mallet to gently punch the pull rail and interlock to remove them from the panel. (figure 8)



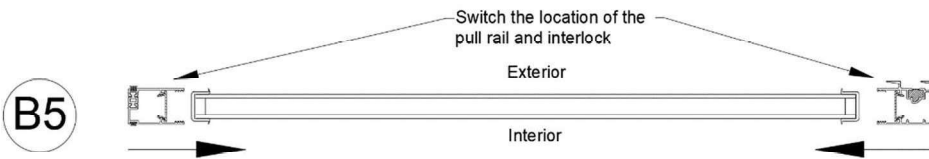
**Figure 8**

**2.3** Interlocks to be notched as the fixed interlock (see step 1.2).

**2.4** Using a drill, notch 2 holes on the top side of the pull rail, the holes should be the same size and placed at the same location as the existing ones on the bottom part of the pull rail (Figure 9). Once detached both the pull rail and interlock will switch places on the panel (Figure 10). **Note:** New pull rail may be needed if door height is greater than 80" due to new location of lock.



Pull Rail  
Operating Panel  
**Figure 9**

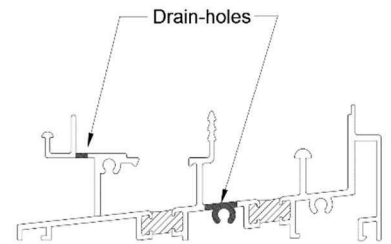


**Figure 10**

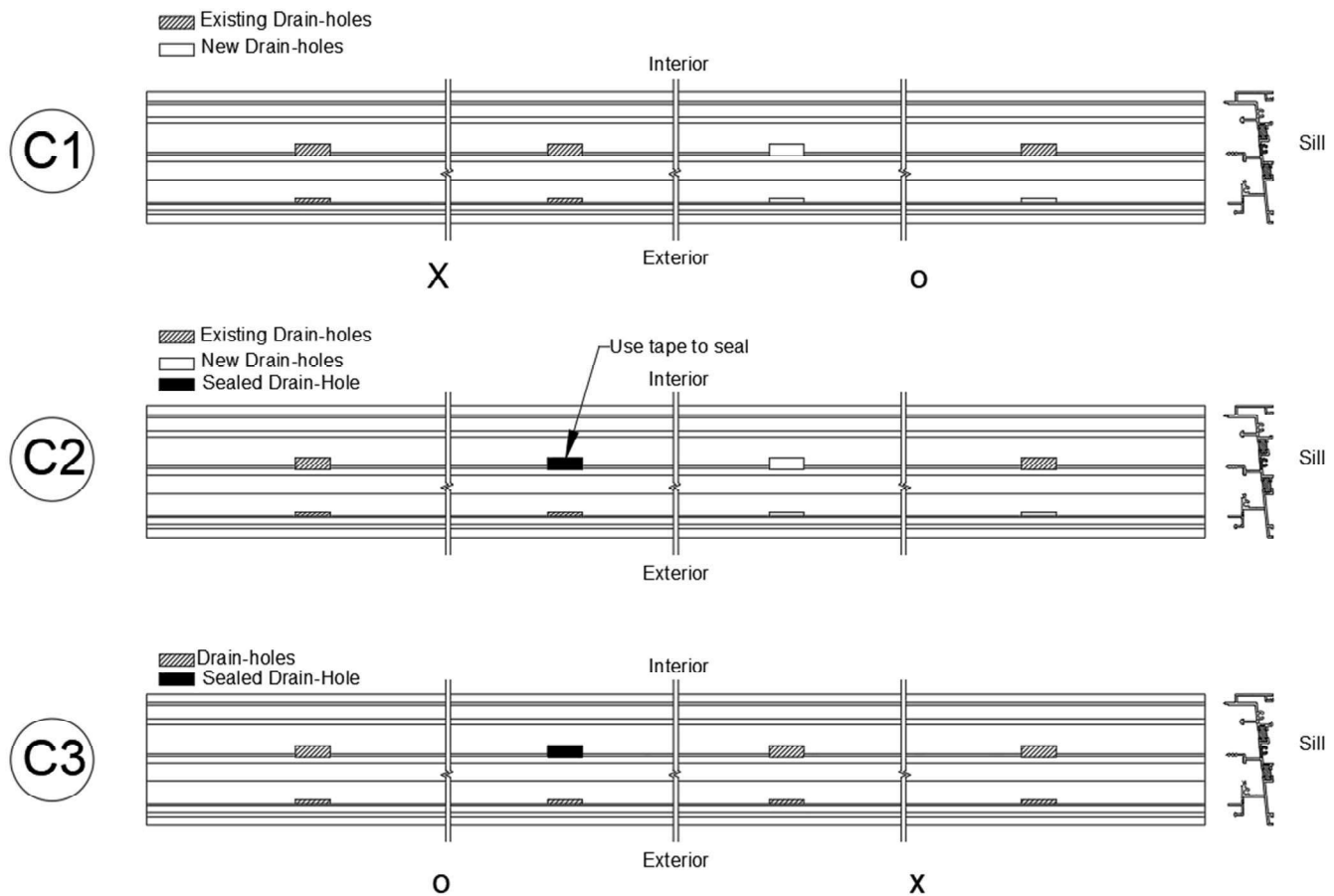
**3.0 Reverse the sill**

**3.1** For every existing drain-hole perforate a new hole on the opposite side of the sill; If an existing drain-hole is located 6" from the right jamb, perforate a new hole of the same size located 6" from the left jamb. Do not perforate a new hole if there is already a drain-hole on the opposite side of an existing one.

**3.2** Use butyl tape to seal the second drain-hole from the jamb behind the fixed panel.



**Figure 11**



**Figure 12**

**4.0 Install Fixed Panel**

**4.1** From the inside of the building, lift the fixed panel into the furthest away/exterior track of the frame header and carefully lower onto the sill as shown. The wool pile at the meeting rail should now be facing the inside of the building.

**4.2** The fixed panel should be completely level with the sill, no gaps should be apparent between the sill and the bottom of the fixed panel. The black closed cell foam above the fixed panel should be tight to all edges and past the interlock by at least 1/4".

**4.3** Push the fixed panel securely and completely into the jamb.

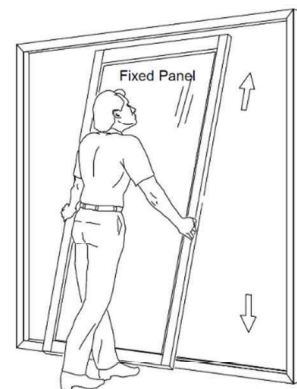
**4.4** You may need to use silicone spray along the sill and up the jamb to fully engage the fixed panel. If additional assistance is required use a spreader bar to push the fixed panel firmly against the jamb.

**4.5** First fasten the fixed panel clip to the top and bottom of the fixed panel with #8x3/4" screws (as shown #1) as indicated by the label on the fixed pull rail.

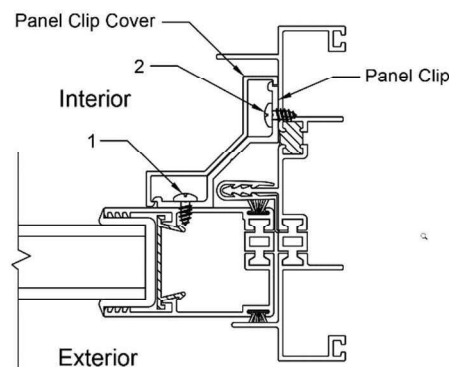
**4.6** Now fasten the fixed panel clip to the top and bottom of the jamb with #8x3/4" screws (as shown #2) as indicated by the label on the jamb.

**4.7** Now place fixed panel dip covers over the fixed panel clips.

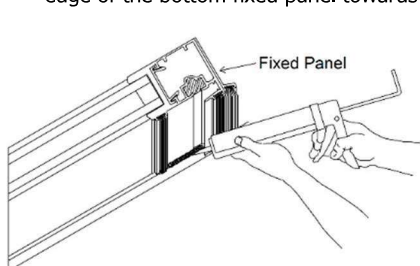
**4.8** With the fixed panel completely secured, apply a 1/8" bead of silicone starting from the exterior edge of the bottom fixed panel towards the interior all the way (as shown).



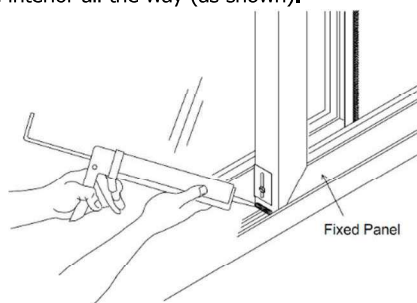
**Figure 13**



**Figure 16**



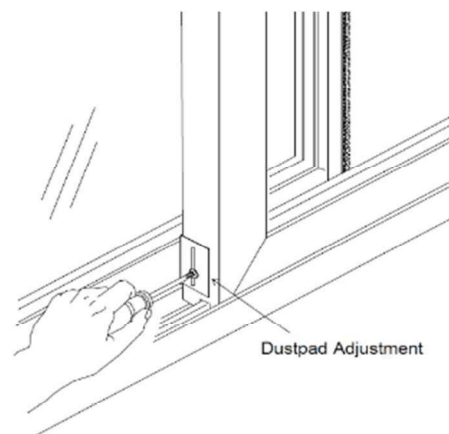
**Figure 14**



**Figure 15**

**5.0 DUST PAD ADJUSTMENT**

**5.1** The fixed panel is shipped with the dust pad's factory installed in the "backed-off" position. After the door has been completely aligned and adjusted, apply a small bead of silicone at the interlock / sill joint along the entire interlock and underneath the dust pad. Loosen the dust pad adjustment screws and raise or lower the dust pads so that one dust pad fits tightly against the head and one dust pad fits tightly against the sill of the doorframe and re-tighten the screws.



**Figure 17**

**6.0 INSTALLING THE OPERATING PANEL**

**6.1** Lift the operating panel into the inside track of the frame header and carefully lower onto the roller track of sill as shown.

**6.2** Using a handheld screwdriver (#2-Robertson or #2- Phillips), adjust the rollers up or down to align the top of the weather stripping on the outside of the bottom rail to be riding approximately 1/16" to 1/8" below the sill frost bar as shown.

**6.3** Turn the screw clockwise to raise the panel or counterclockwise to lower the panel as shown.

**NOTE:** Clearview recommends lifting the panel slightly when adjusting the wheels for ease of turning and to ensure against stripping the adjustment mechanism. Slide the panel in the closing direction to within 1/4" of the jamb. Visually, the gap between the panel and the jamb should be uniform from top to bottom. If not, adjust the panel downward at one corner until the panel aligns to the jamb. If the jamb is bowed, remove installation screws, adjust the shims, and re-fasten.



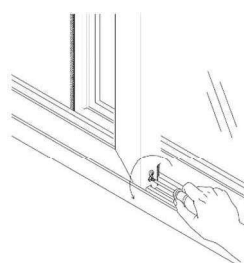
**Figure 18**

**7.0 MORTISE LOCK HANDLE AND KEEPER INSTALLATION**

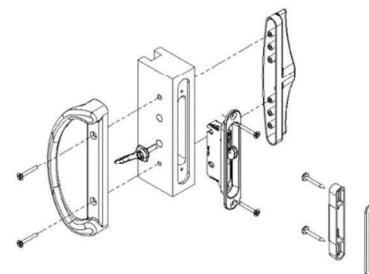
**7.1** Follow the instructions enclosed in the hardware package for the following hardware option provided. Only after the panels have been adjusted as previously noted, attach the operating mechanism, handles, and lock keeper as outlined in the door hardware instruction sheet.

**7.2** Mortise Lock: **Standard for all doors** (Not available for OXXO doors). Attach the operating mechanism and handles to the lock rail as shown. Ensure that the striker hook is facing upwards.

**NOTE:** Install the screws through the centre of the slots in the keeper to allow for future vertical adjustments if necessary.



**Figure 19**



**Figure 20**

**8.0 Reversing Screen**

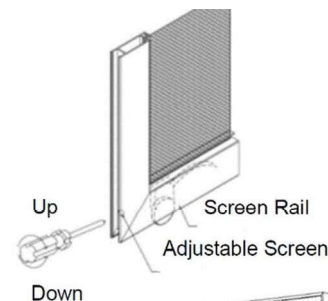
**8.1** Before removing the screen, back-off all four wheels by turning the adjustment screws counter-clockwise.

**8.2** Remove the screen from the frame.

**8.3** Flip the screen around.

**8.4** Insert the screen in the outside track of the frame header, swing the bottom of the screen towards the sill and snap the rollers over the sill screen track. Slide the screen in the closing direction to within 1/4" of the jamb. Visually, the gap between the screen and the jambs should be uniform from top to bottom.

**8.5** Using a screwdriver (#2-Robertson or #2 Phillips) adjust the rollers on the bottom of the screen up (clockwise) or down (counter-clockwise) to align the screen. Adjust the top rollers just enough to snug the screen in the top track and allow easy rolling.



**Figure 21**

Visit Our Web Site @ [www.clearview.on.ca](http://www.clearview.on.ca)



45 Fenmar Drive  
 Toronto, Ontario Canada M9L1M1  
 Toll: 1-888-253-2739  
 Tel: 416-745-6666  
 Fax: 416-745-3711  
 E: [sales@clearview.on.ca](mailto:sales@clearview.on.ca)