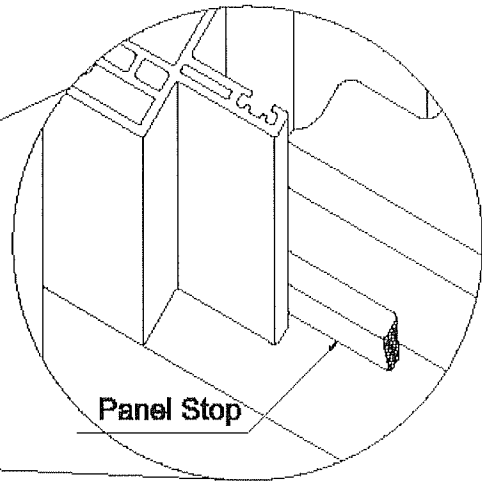
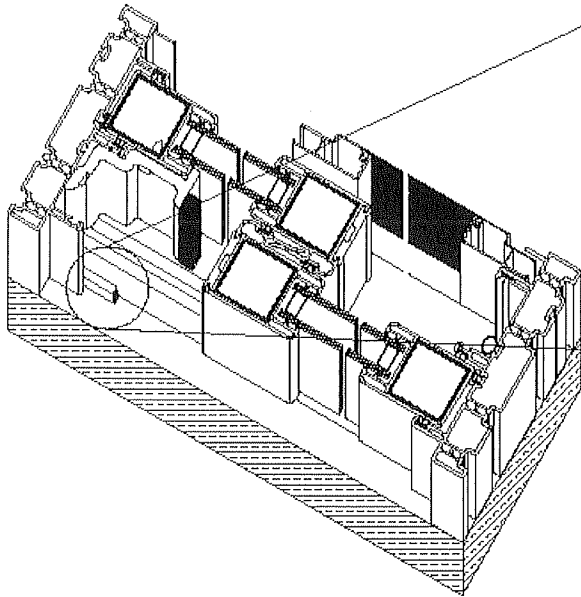


Panel Stop for Mini-Blinds

- Clean the surface on the sill
- Remove protective backing from foam tape
- Apply panel stop into the sill as shown



Panel Stop for Mini-Blinds

- Clean the surface on the sill
- Remove protective backing from foam tape
- Apply panel stop into the sill as shown

